

NIR - POWERHEAT® PH MF 10-1

1L 10 inch/ 2015 W/400V

APPLICATION

Drying of inks, glues and paintings in the business fields mailing or marking, or Ink-Jet applications on paper or foils, especially on difficult materials for the graphic industry, like coated papers.

BENEFIT

- Drying in seconds
- Significant improving of the scrape resistance immediately after drying
- Immediately ready for other production steps or wrapping

DESCRIPTION

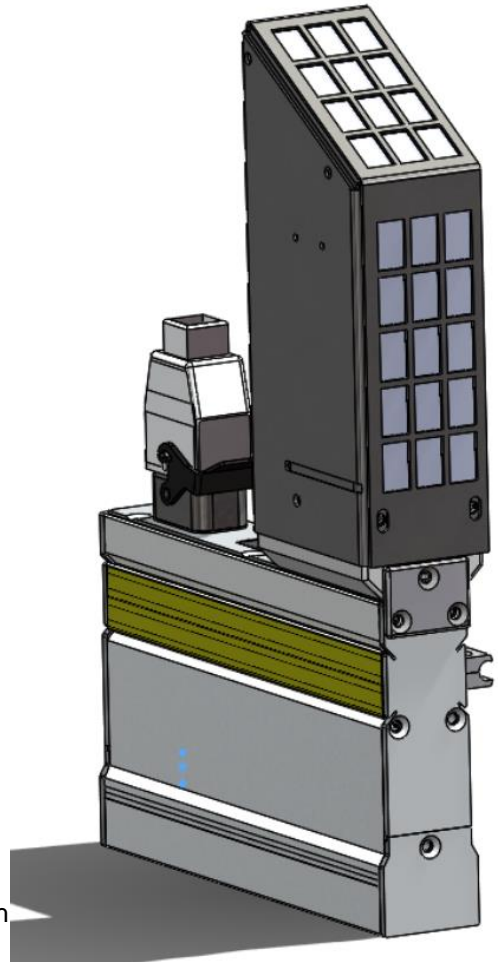
The NIR **POWERDRY®** is a very compact high effective drying module based, of short-wave infrared (Near Infrared), developed by LAMBDA TECHNOLOGY®.

PRODUCT FEATURES

- Compact unit
- Only one lamp for 50 mm lighted width
- Simple menu guidance guarantees a very short time for acquainted with
- Nearly no time for integration and mounting
- Internal or external control easy to integrate
-

Technical Specification

Overall dimension l x w x h in mm ³	64 x 345 x 399 mm ³
Irradiated area in mm ²	20mm ² - 50 mm ²
Drying length	200
Power & number of emitters	1 emitter with special contacts 2,15 kW / 400 V
Power input	2,15 kW / 400V
Feed	16 A / 400 V
Glass plate	special
Control type	modular mountable control
Type of fan	1 modular mountable fan



NIR - POWERHEAT® PH MF 10-1

